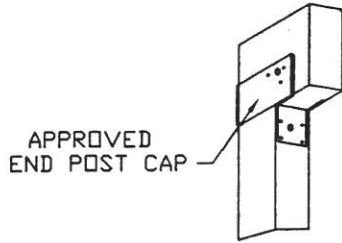


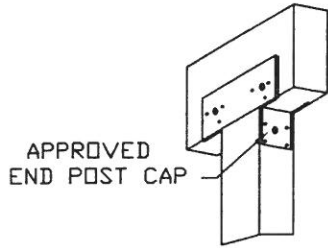
SPECIFICATIONS FOR
ATTACHED PATIO COVER
 LA PAZ COUNTY BUILDING INSPECTION DEPARTMENT
 1112 JOSHUA AVE, PARKER, ARIZONA 85344

REVISED 4/1/09



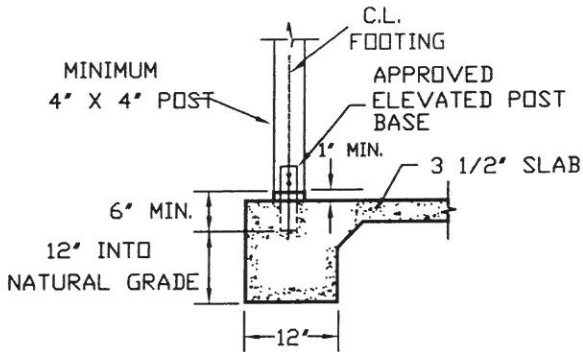
APPROVED END POST CAP

1 END POST AND BEAM

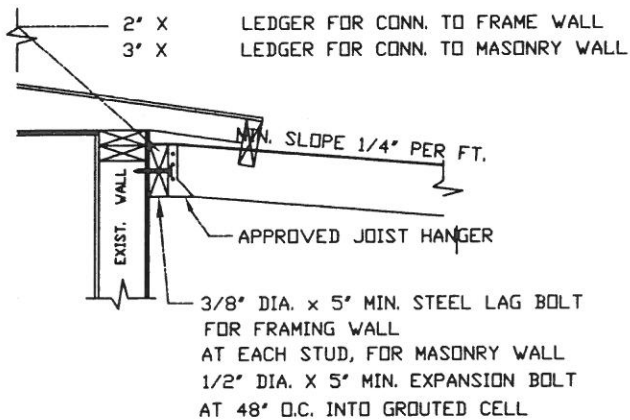


APPROVED END POST CAP

2 POST AND BEAM

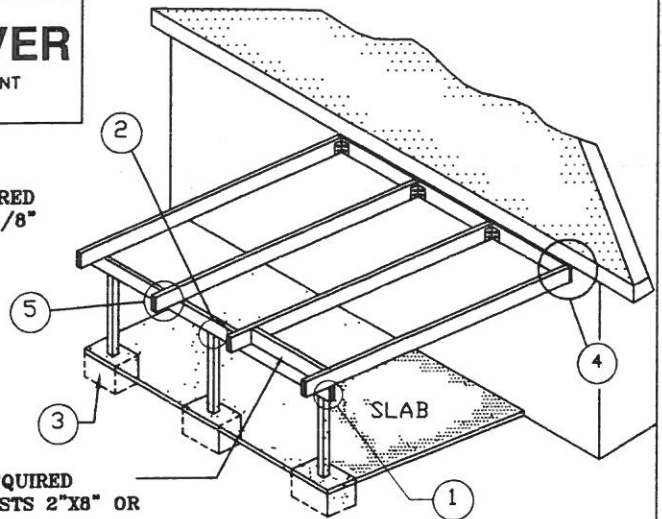


3 FOOTING DETAIL

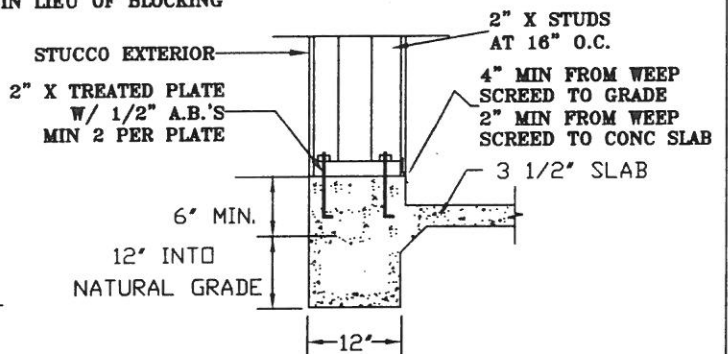


4 LEDGER TO FRAME WALL
 LEDGER TO MASONRY WALL

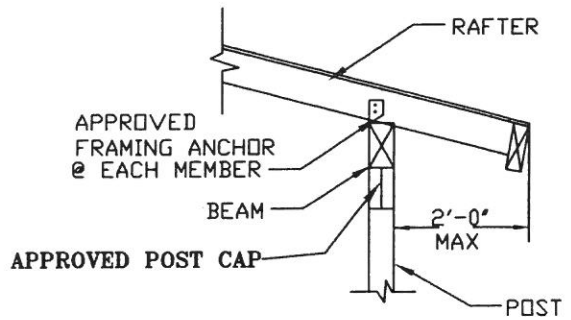
NOTE:
 REMOVE STUCCO, LATHE AND FOAM FOR WOOD TO WOOD CONNECTION AT LEDGER.



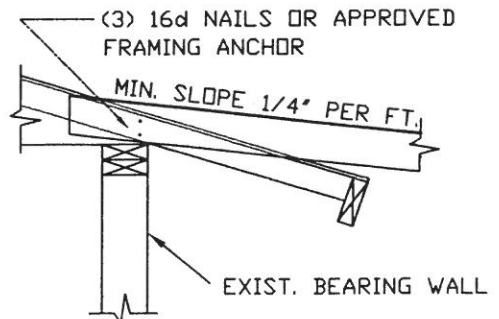
BLOCKING REQUIRED BETWEEN JOISTS 2"x8" OR LARGER.
 EXCEPTION: WHEN O.H. IS 12" OR LESS, A 2" X FASCIA BOARD MAY BE USED IN LIEU OF BLOCKING



3A FOOTING DETAIL



5 RAFTER TO BEAM



4-A ALTERNATE ATTACHMENT FOR RAFTER ON TO BEARING WALL