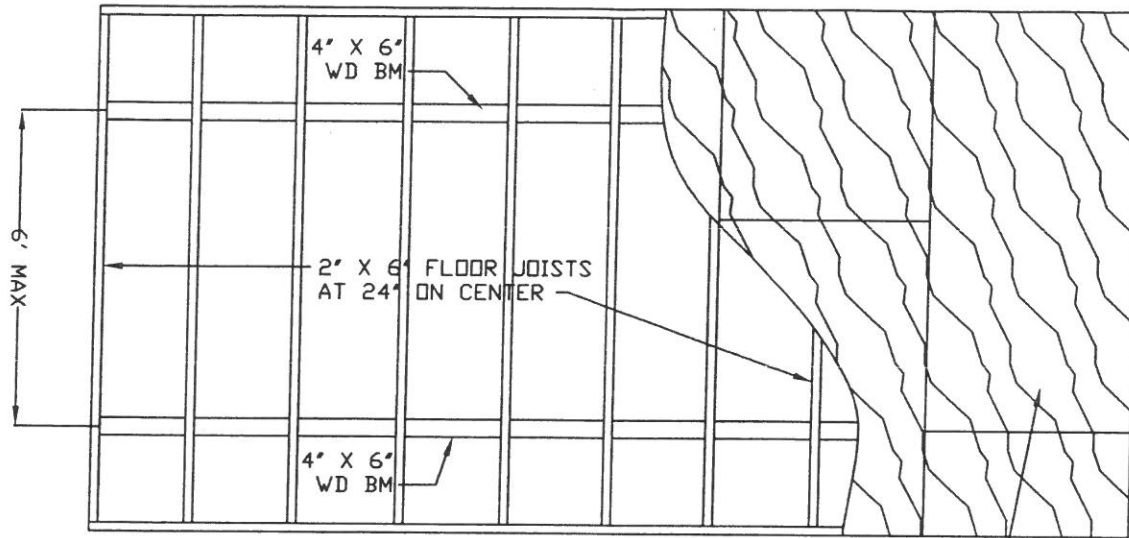


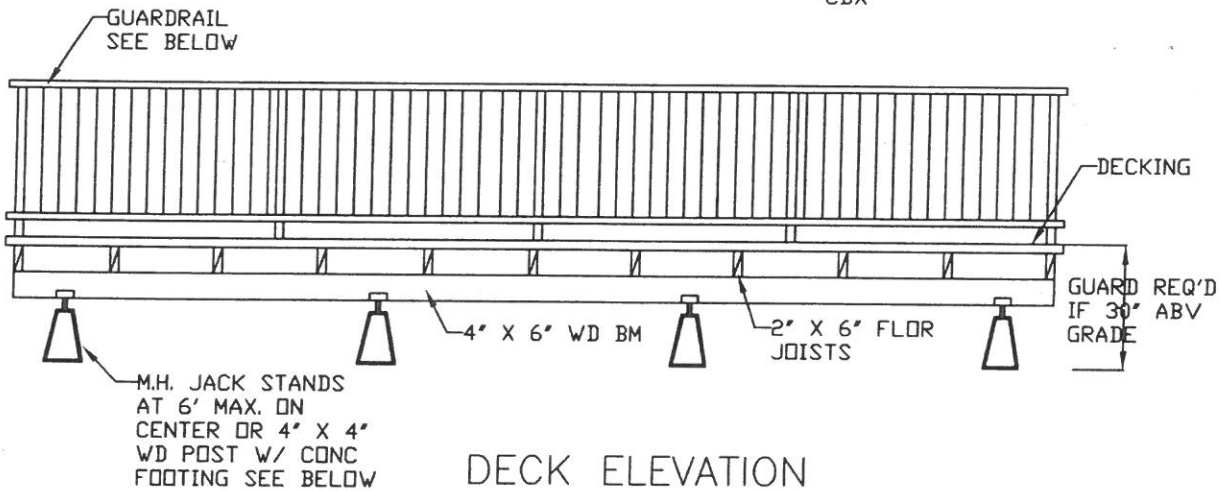
SPECIFICATIONS FOR
FREESTANDING DECK
 LA PAZ COUNTY BUILDING INSPECTION DEPARTMENT
 1112 JOSHUA AVE, PARKER, ARIZONA 85344

REVISED 4/1/09

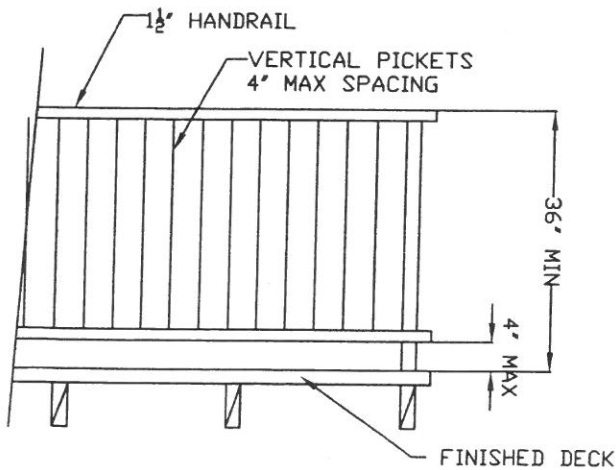


DECK PLAN VIEW

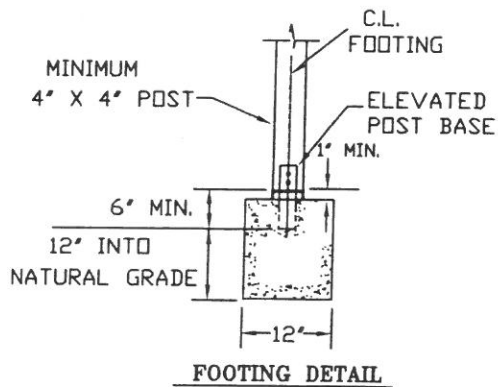
3" TONGUE AND GROOVESB OR CDX



DECK ELEVATION



GUARDRAIL ELEVATION



FOOTING DETAIL